

### MightEvac® rescue/retrieval hoist

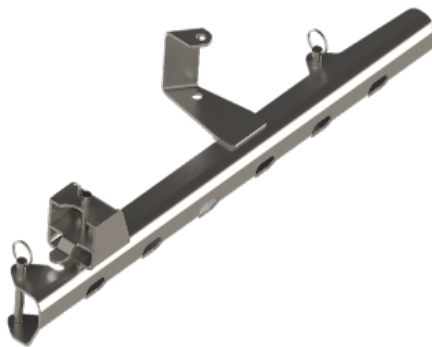
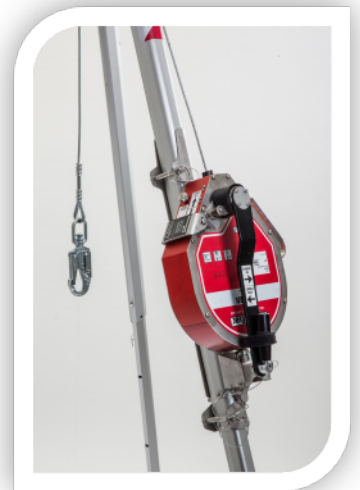
#### Description:

Easy installation of device by simple fixation bracket positioning on outside tripod leg (easy to use for right and left handed users).

Used in conjunction with the DuraHoist 3Pod and dedicated brackets to form core of a stable and secure confined entry/rescue system

#### References:

Ref.	Designation	Cable
1005149-A	MIGHTYLITE EVAC 15m Galvanized Wire Rope	4.8mm galva wire rope
1014390-A	MIGHTYLITE EVAC 15m Stainless Steel	4.8mm stainless steel
1034431	MIGHTYLITE EVAC bracket for 15m DuraHoist™ 3pod	



#### Features:

#### Housing & mechanism

Raw material : Aluminum alloy & stainless steel

**Automatic Snap hook :**

Raw material : chromate steel

Standard: EN 362

Opening : 21 mm

Breaking strength : > 2000 daN

**Karabiner at the top of mightevac**

Raw material : Galvanized steel

Opening : 18 mm

Standard: EN 362

Breaking strength : > 2200 daN

Breaking strength : > 12 kN

Braking strength : < 6 kN

Arrest distance : <2m

Maxi load : 136 kg – speed ratio : 4/1

Temperature: -30°C to +50°C

**Material rescuing :** EN360:2002 EN1496:2006

**Net Weight :** 13.36 kg

**Gross Weight :** 14.34 kg

**Bracket : EN 795**

**Net Weight :** 2.82 kg

**Gross Weight :** 4.06 kg



**LAW of 19 MARCH 93**

PPE are products classified in category III, mortal risks, and as such they have to be the object of a periodic inspection for less than twelve months at the time of its use by the qualified person.

For more information, please contact our technical team at 02 48 52 40 42 or by e-mail [techniserv.hsp@honeywell.com](mailto:techniserv.hsp@honeywell.com)